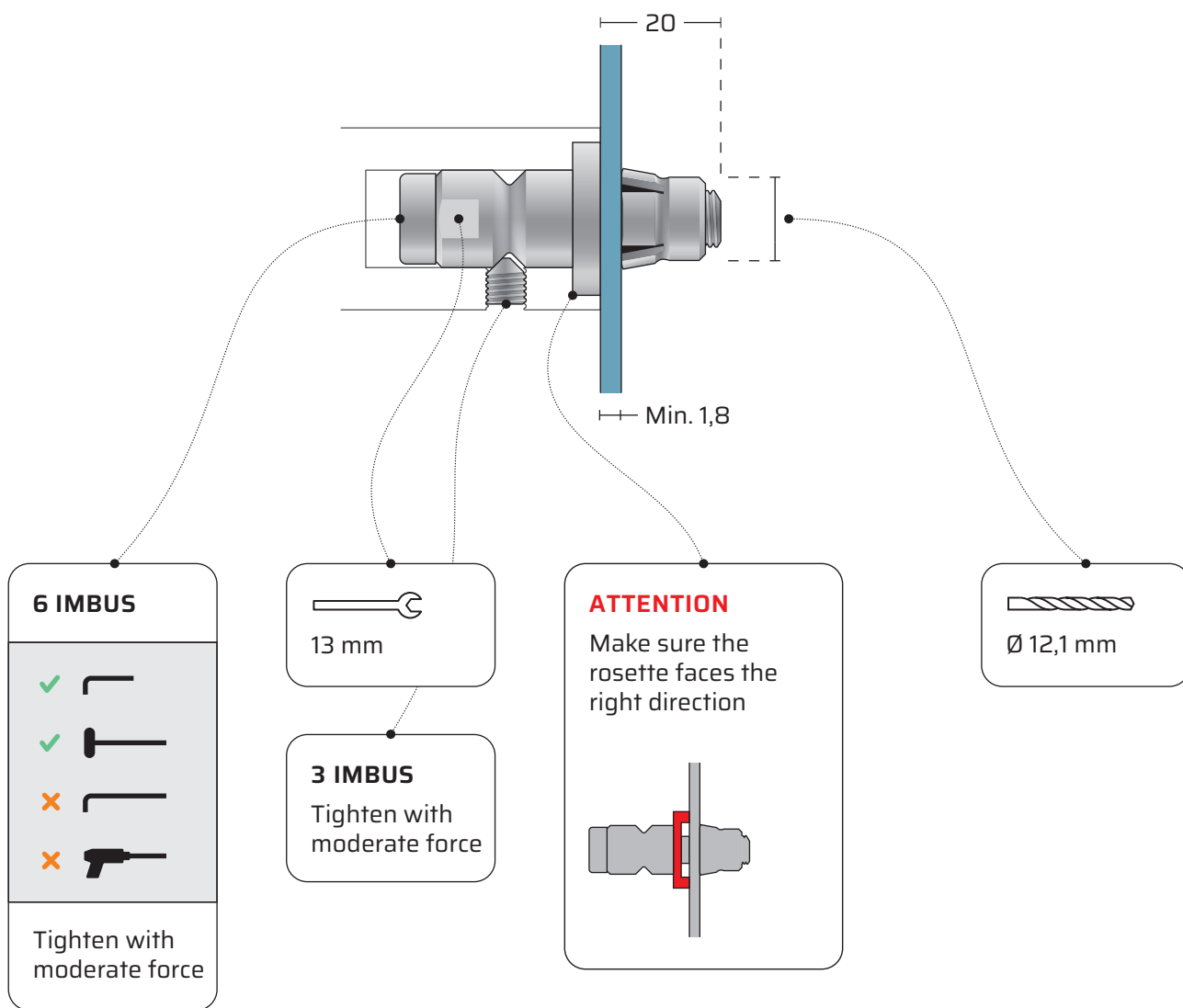


Apply adequate door protection before each installation stage!
Griffing is not liable for any damage to the front door.

VRA - fastener / 90° / aluminium

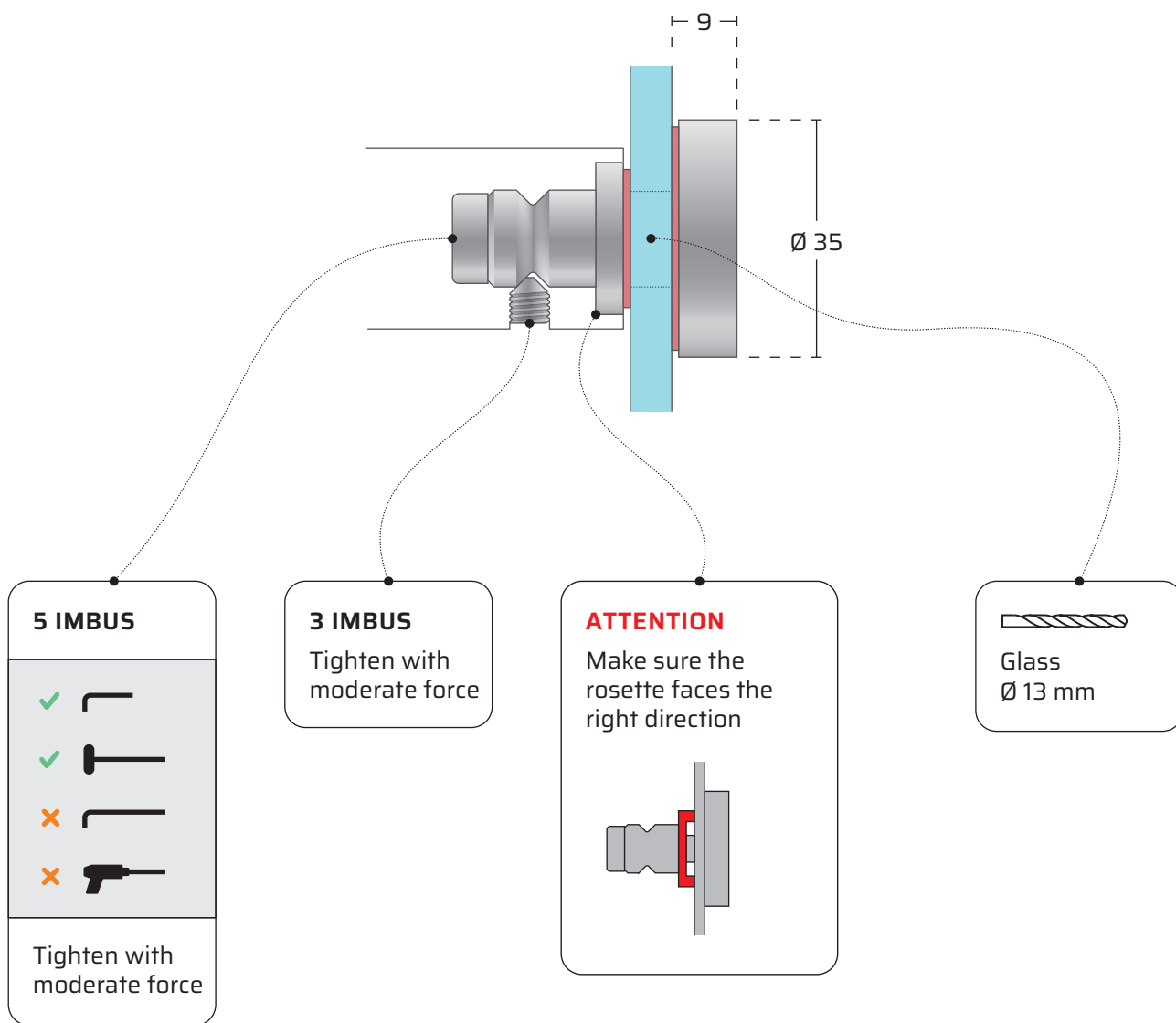


INSTALLATION INSTRUCTIONS FOR FASTENERS - VRA

#001

Apply adequate door protection before each installation stage!
Griffing is not liable for any damage to the front door.

VRMS - fastener / 90° / with glass nut



INSTALLATION INSTRUCTIONS FOR FASTENERS - VRA

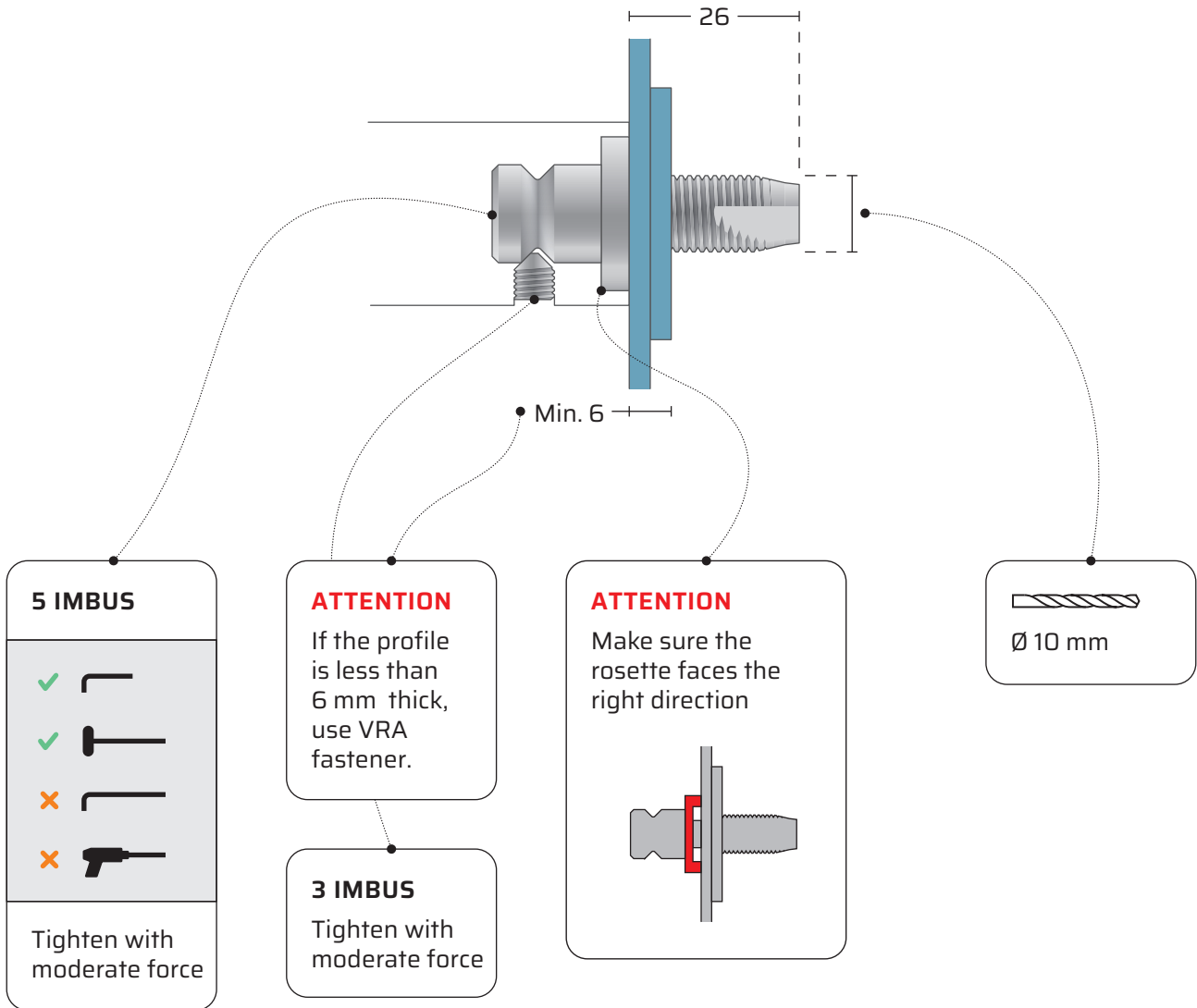
#002

Griffing d.o.o. | Rakitnica 41 | 1331 Dolenja vas | Slovenia, EU
info@griffing.si | www.griffing.si

Tehnični list | 01/01/2023
GRIFFING

Apply adequate door protection before each installation stage!
Griffing is not liable for any damage to the front door.

VRS - fastener / 90° / self-tapping for ALU panels



INSTALLATION INSTRUCTIONS FOR FASTENERS - VRS

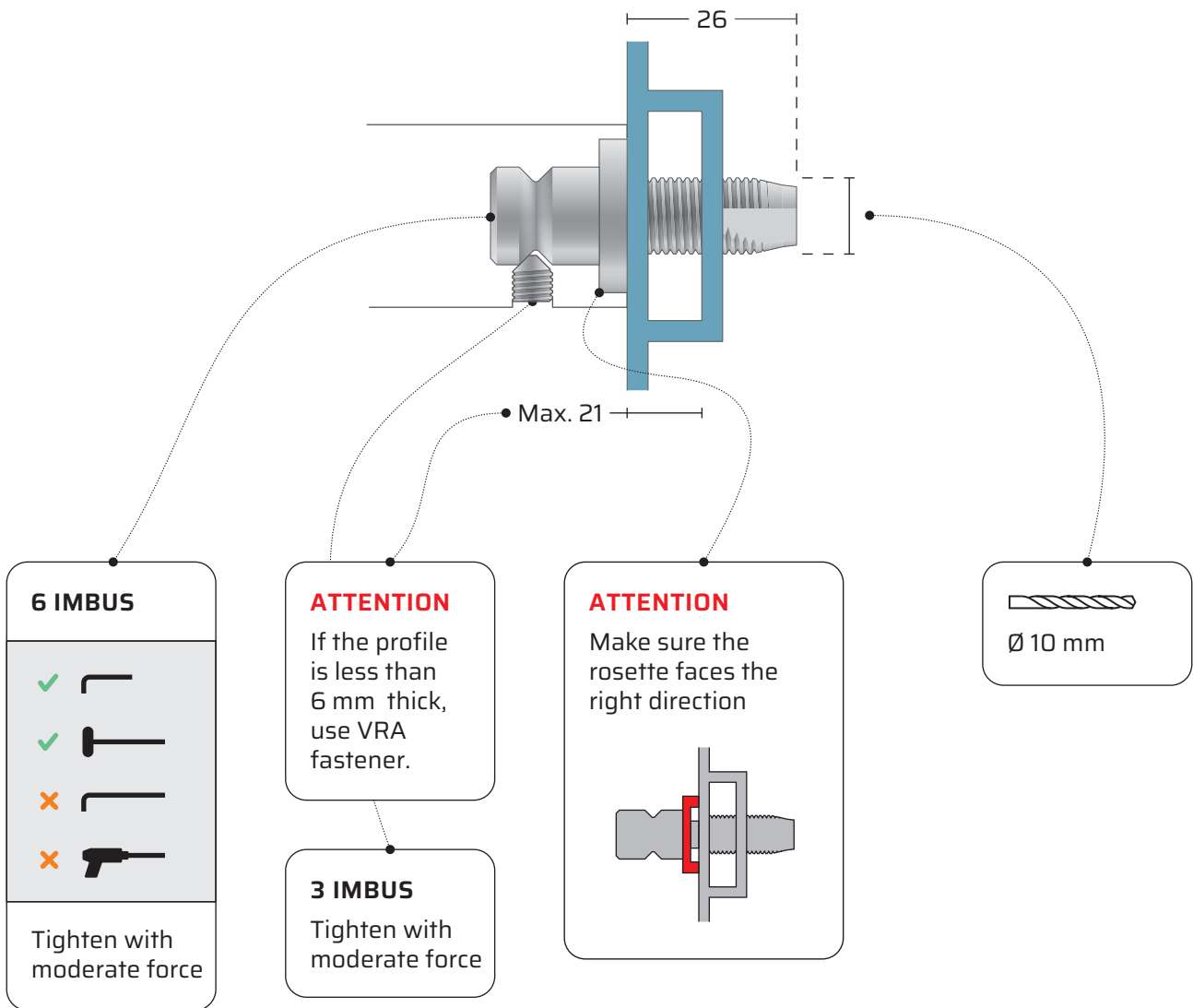
#003

Griffing d.o.o. | Rakitnica 41 | 1331 Dolenja vas | Slovenia, EU
info@griffing.si | www.griffing.si

Tehnični list | 01/01/2023
GRIFFING

Apply adequate door protection before each installation stage!
Griffing is not liable for any damage to the front door.

VRS - fastener / 90° / self-tapping for ALU profiles

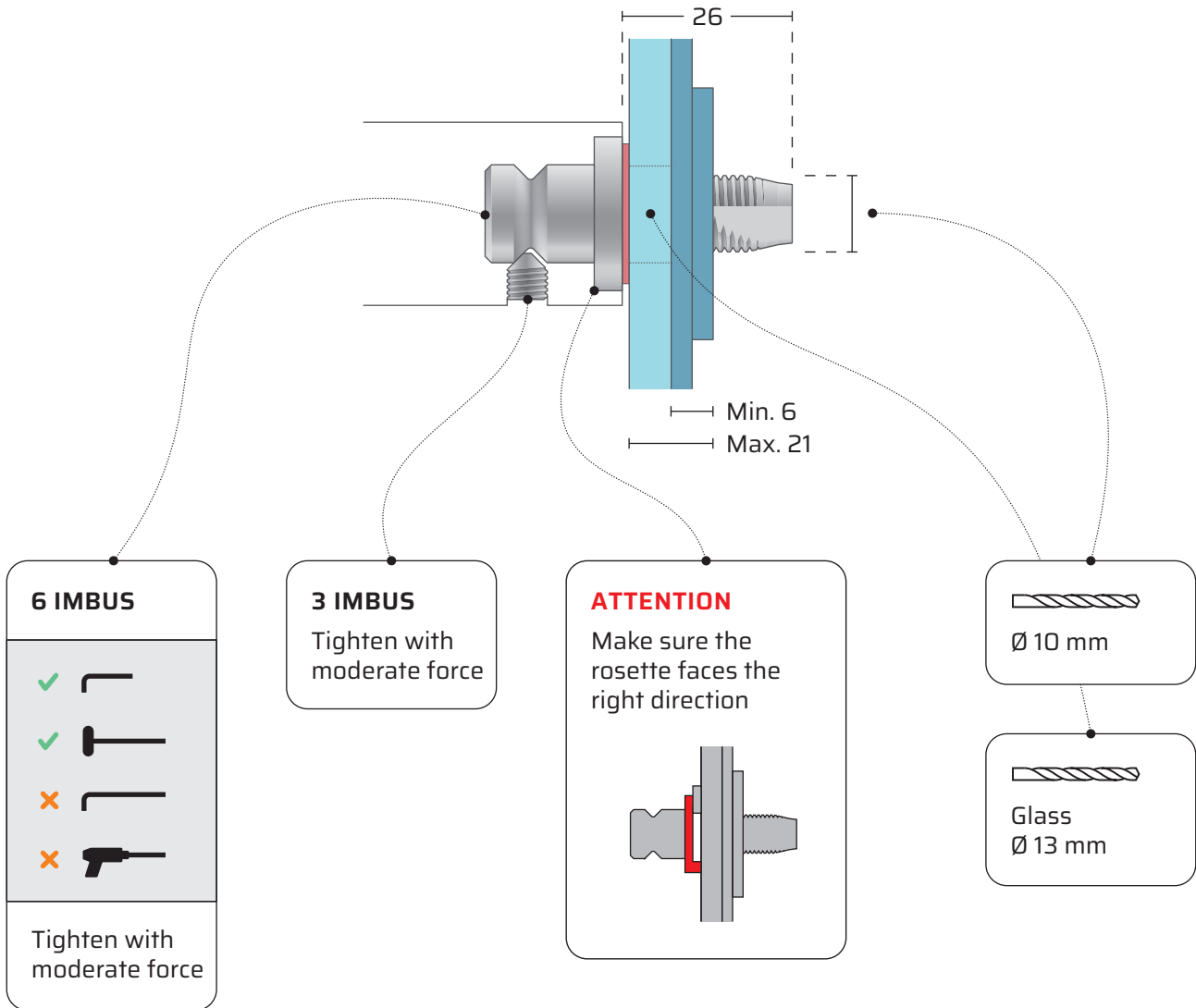


INSTALLATION INSTRUCTIONS FOR FASTENERS - VRS

#004

Apply adequate door protection before each installation stage!
Griffing is not liable for any damage to the front door.

VRSS - fastener / 90° / self-tapping for ALU panels with glass



INSTALLATION INSTRUCTIONS FOR FASTENERS - VRS

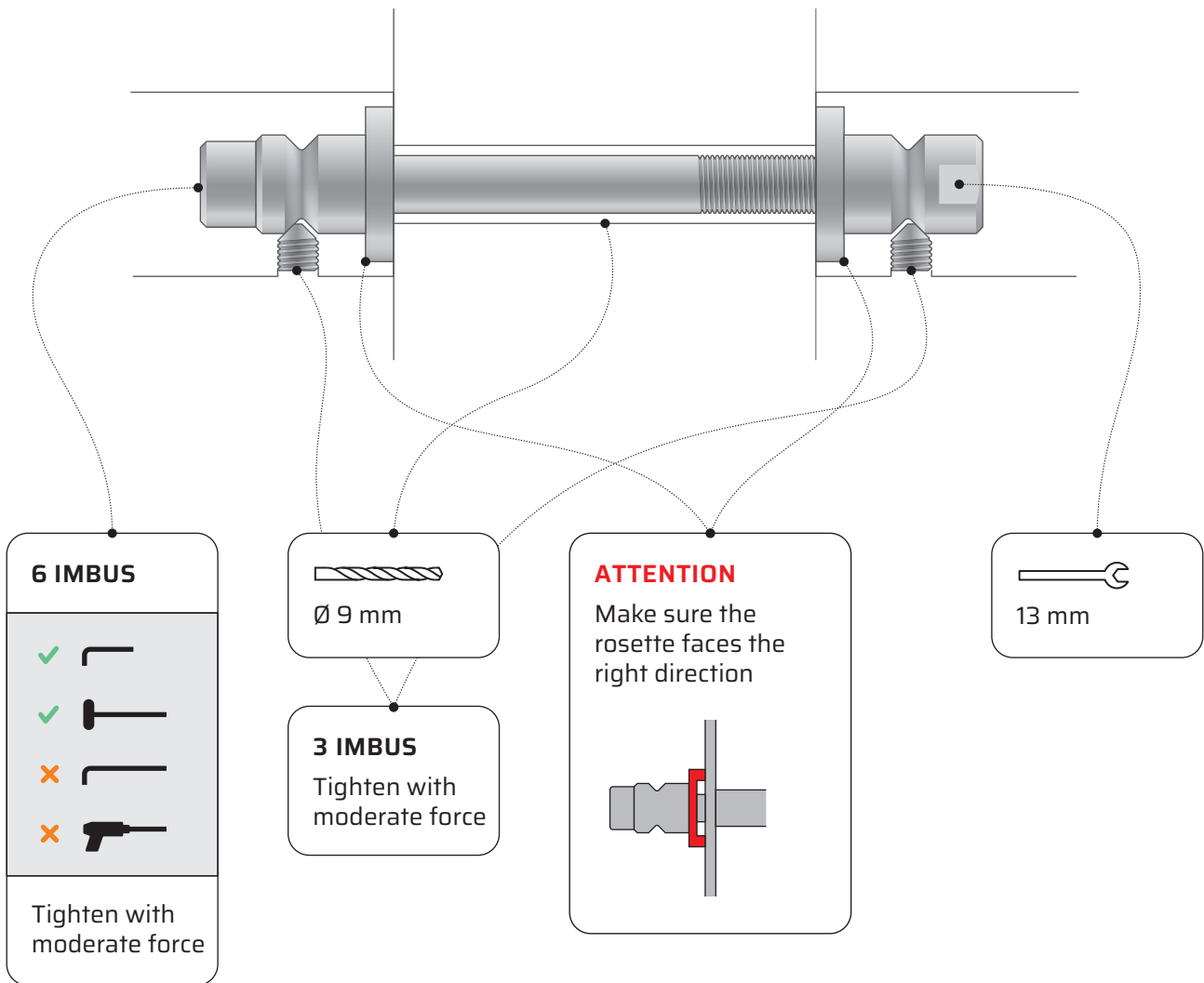
#005

Griffing d.o.o. | Rakitnica 41 | 1331 Dolenja vas | Slovenia, EU
info@griffing.si | www.griffing.si

Tehnični list | 01/01/2023
GRIFFING

Apply adequate door protection before each installation stage!
Griffing is not liable for any damage to the front door.

VRO - fastener / 90° / double-sided

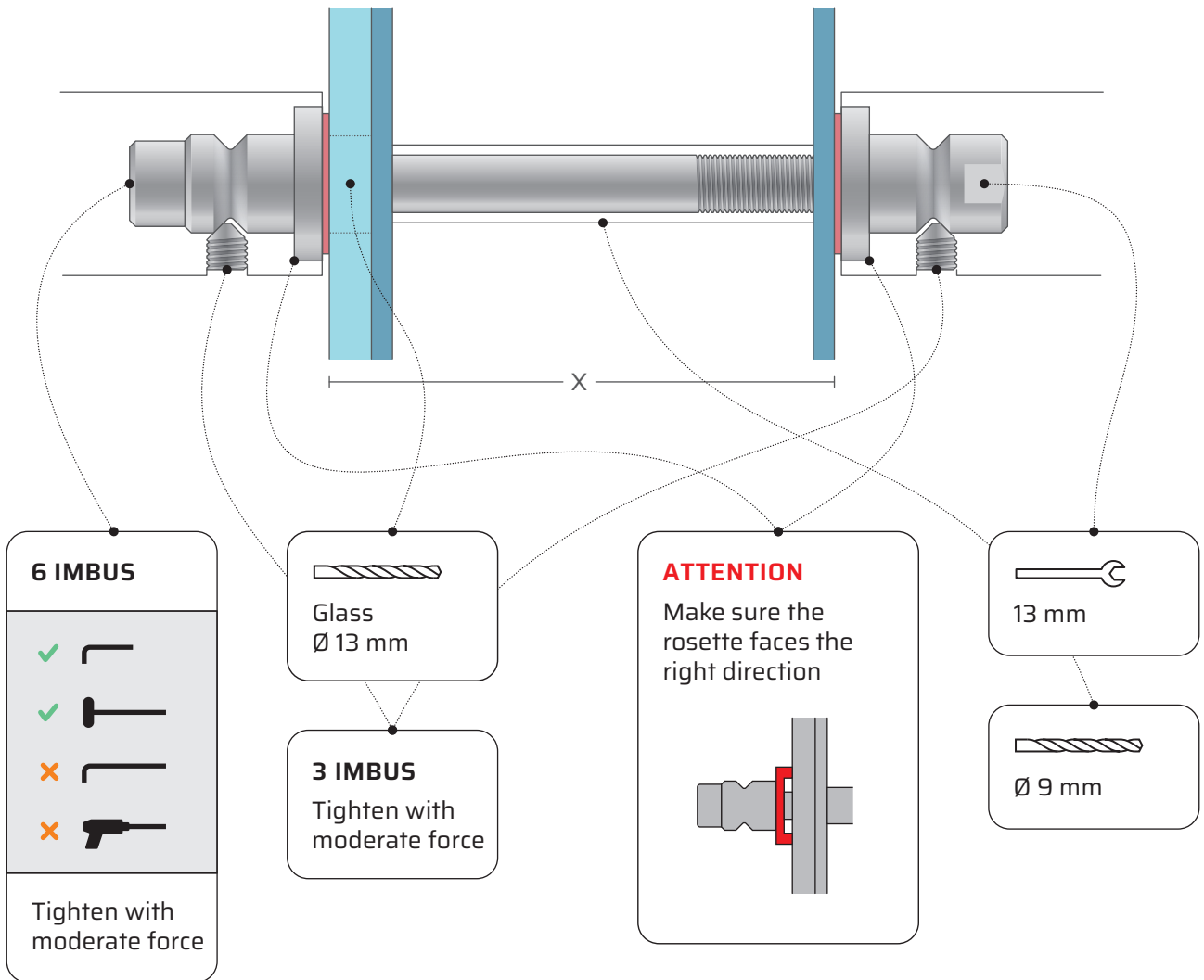


INSTALLATION INSTRUCTIONS FOR FASTENERS - VRO

#006

Apply adequate door protection before each installation stage!
Griffing is not liable for any damage to the front door.

VROS - fastener / 90° / double-sided for glass



INSTALLATION INSTRUCTIONS FOR FASTENERS - VROS

#007

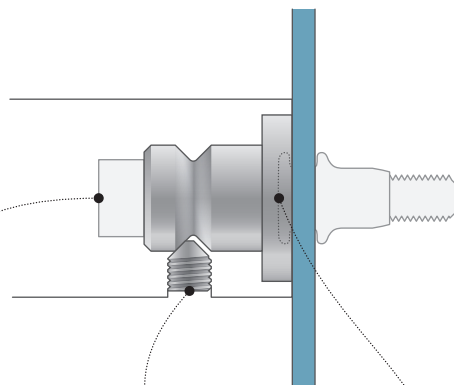
Griffing d.o.o. | Rakitnica 41 | 1331 Dolenja vas | Slovenia, EU
info@griffing.si | www.griffing.si

Tehnični list | 01/01/2023

GRIFFING

Apply adequate door protection before each installation stage!
Griffing is not liable for any damage to the front door.

VRU - fastener / 90° / universal



SCREWS NOT INCLUDED IN THE SET

Use the screw of your choice (the largest possible).

Screw head
Ø 9.5 - Ø 14 mm

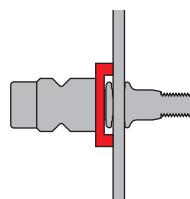
Screw body max.
Ø 8 mm, e.g. M6, M8,
wood screw

3 IMBUS

Tighten with moderate force

ATTENTION

Make sure the rosette faces the right direction



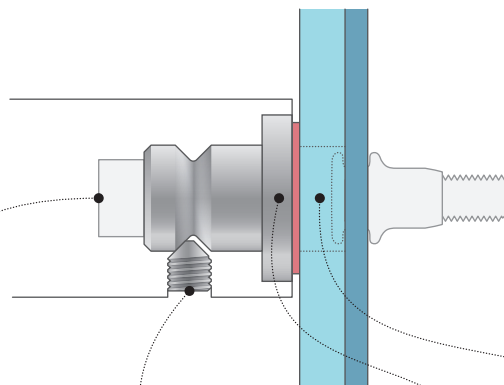
Extra space under the rosette for an expansion nut
max. Ø16x1.8 mm

INSTALLATION INSTRUCTIONS FOR FASTENERS - VRU

#008

Apply adequate door protection before each installation stage!
Griffing is not liable for any damage to the front door.

VRUS - fastener / 90° / universal for glass



SCREWS NOT INCLUDED IN THE SET

Use the screw of your choice (the largest possible).

Screw head
Ø 9.5 - Ø 14 mm

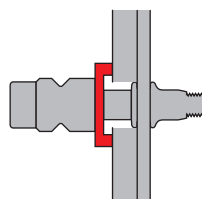
Screw body max.
Ø 8 mm, e.g. M6, M8,
wood screw

3 IMBUS

Tighten with moderate force

ATTENTION

Make sure the rosette faces the right direction



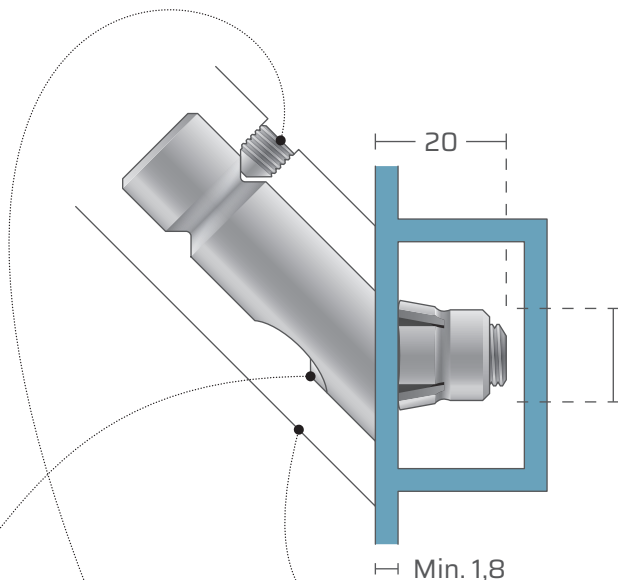
Glass
Ø 13 mm

INSTALLATION INSTRUCTIONS FOR FASTENERS - VRUS

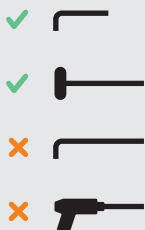
#009

Apply adequate door protection before each installation stage!
Griffing is not liable for any damage to the front door.

VPA - fastener / 45° / ALU profiles



5 IMBUS



Tighten with moderate force

3 IMBUS

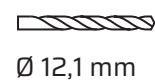
Tighten with moderate force
Special Griffing Key available



TIP

When tightening the 45° fastener, use the door handle to position it correctly and prevent turning.

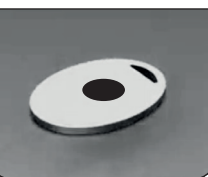
Scan the QR code for video instructions: "45° Fastener Installation"



Ø 12,1 mm

TIP

PPA rosette is recommended



INSTALLATION INSTRUCTIONS FOR FASTENERS - VPA

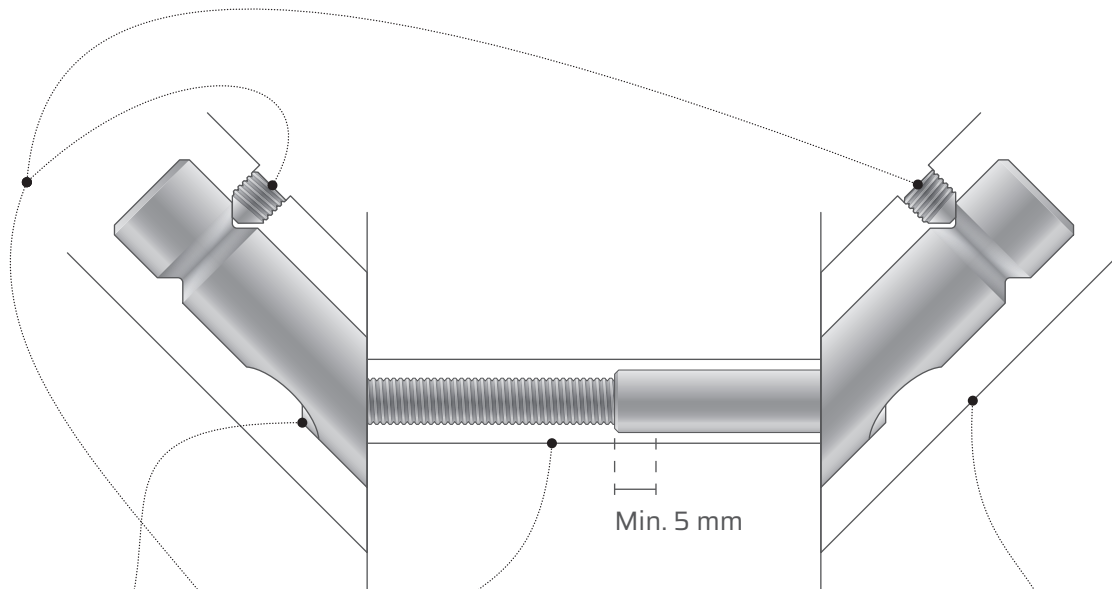
#010

Griffing d.o.o. | Rakitnica 41 | 1331 Dolenja vas | Slovenia, EU
info@griffing.si | www.griffing.si

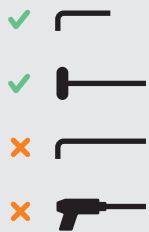
Tehnični list | 01/01/2023
GRIFFING

Apply adequate door protection before each installation stage!
Griffing is not liable for any damage to the front door.

VPO - fastener / 45° / double-sided



5 IMBUS



Tighten with moderate force



Ø 9 mm

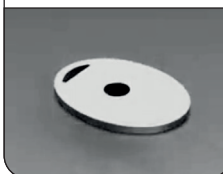
3 IMBUS

Tighten with moderate force
Special Griffing Key available



TIP

PPU rosette is recommended



TIP

When tightening the 45° fastener, use the door handle to position it correctly and prevent turning.

Scan the QR code for video instructions: "45° Fastener Installation"



INSTALLATION INSTRUCTIONS FOR FASTENERS - VPO

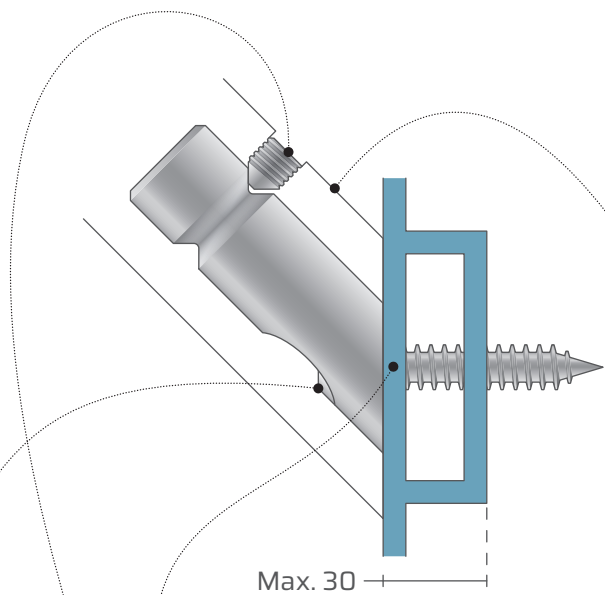
#011

Griffing d.o.o. | Rakitnica 41 | 1331 Dolenja vas | Slovenia, EU
info@griffing.si | www.griffing.si

Tehnični list | 01/01/2023
GRIFFING

Apply adequate door protection before each installation stage!
Griffing is not liable for any damage to the front door.

VPU - fastener / 45° / universal (example with an ALU profile is shown below)



5 IMBUS

- ✓
- ✓
- ✗
- ✗

Tighten with moderate force

Ø 5 mm

3 IMBUS
Tighten with moderate force
Special Griffing Key available

TIP
PPU rosette is recommended

TIP
When tightening the 45° fastener, use the door handle to position it correctly and prevent turning.

Scan the QR code for video instructions: "45° Fastener Installation"

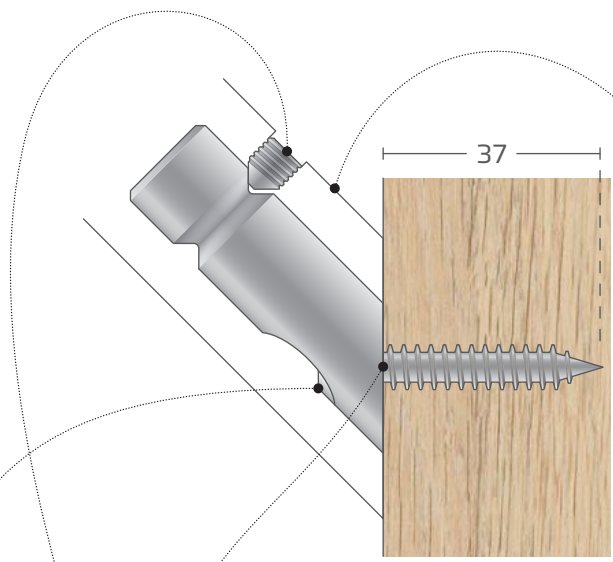


INSTALLATION INSTRUCTIONS FOR FASTENERS - VPU

#012

Apply adequate door protection before each installation stage!
Griffing is not liable for any damage to the front door.

VPU - fastener / 45° / universal (example with wood is shown below)



5 IMBUS

- ✓
- ✓
- ✗
- ✗

Tighten with moderate force

Ø 5 mm

3 IMBUS

Tighten with moderate force

Special Griffing Key available

TIP

PPU rosette is recommended

TIP

When tightening the 45° fastener, use the door handle to position it correctly and prevent turning.

Scan the QR code for video instructions: "45° Fastener Installation"

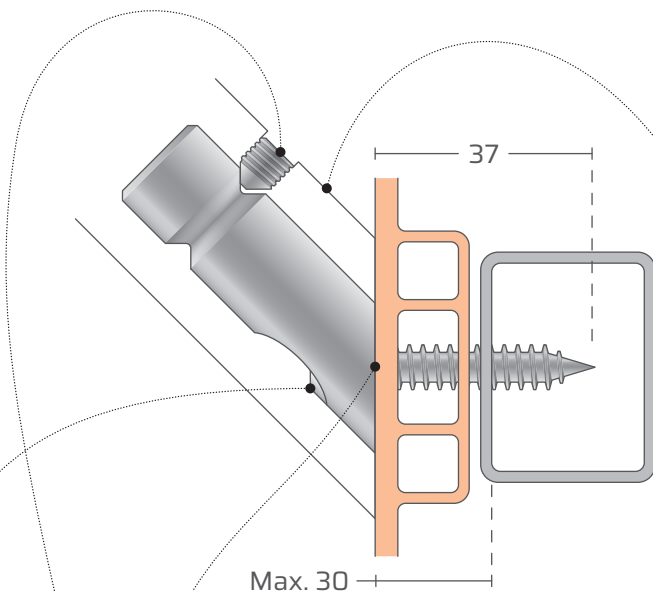


INSTALLATION INSTRUCTIONS FOR FASTENERS - VPU

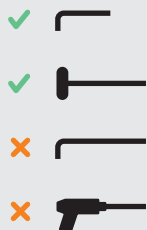
#013

Apply adequate door protection before each installation stage!
Griffing is not liable for any damage to the front door.

VPU - fastener / 45° / universal (example with a PVC frame is shown below)



5 IMBUS



Tighten with moderate force



Ø 5 mm
for steel tubes up to 2.5 mm thick
Ø 5.5 mm
for steel tubes over 3 mm thick

TIP

PPU rosette is recommended



TIP

When tightening the 45° fastener, use the door handle to position it correctly and prevent turning.

Scan the QR code for video instructions: "45° Fastener Installation"



3 IMBUS

Tighten with moderate force
Special Griffing Key available



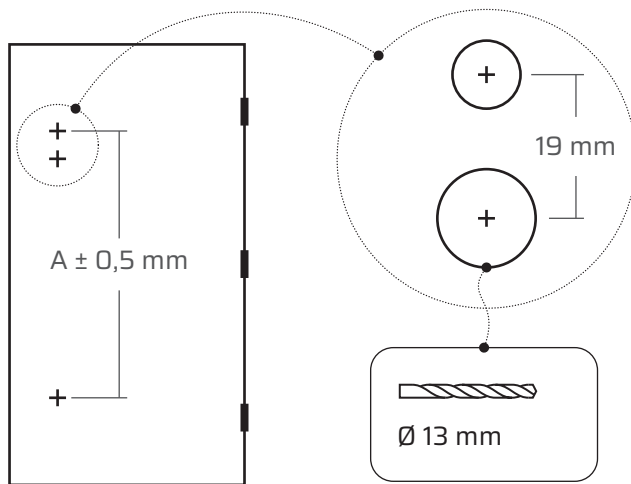
INSTALLATION INSTRUCTIONS FOR FASTENERS - VPU

#014

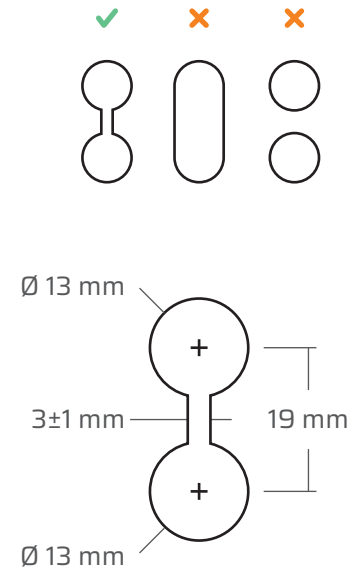
Apply adequate door protection before each installation stage!
Griffing is not liable for any damage to the front door.

Cable hole (all handles except GKV40-VN90)

The cable hole is on the top fastener

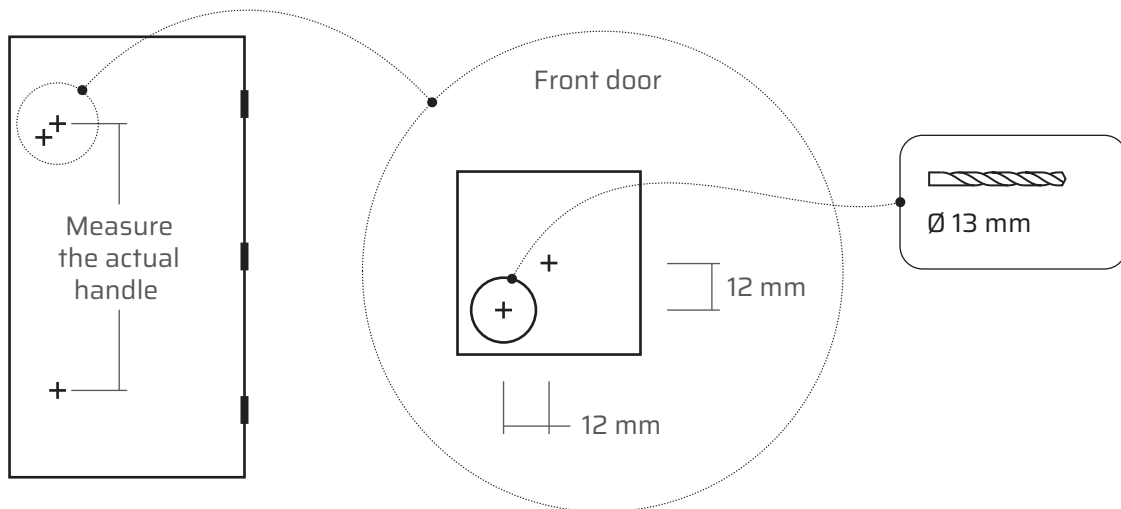


Hole in the glass t



Cable hole for the GKV40-VN90 handle

The cable hole is on the top fastener



INSTALLATION INSTRUCTIONS FOR FASTENERS

#015